

保养及清洁用工具

SCHLICK Accessories for Cleaning and Maintenance



SCHLICK清洁套装包括了喷嘴保养所需的所有工具

- 3把刷子(直径 8、14、20mm)
- 1 x 双头圆柱刷
- 1 x O形圈工具(不锈钢)
- 1 x 勺子铲刀(不锈钢)
- 1 x 螺纹清洁刷
- 1 x 放大镜
- 3 x 合成润滑脂

The **SCHLICK cleaning set** includes all necessary tools for preservation of nozzle parts

- 3 brush (ø 8, 14 and 20 mm)
- 1 x double cylindric-brush
- 1 x o-ring-tool (stainless steel)
- 1 x spoon-spatula (stainless steel)
- 1 x thread-cleaningbrush
- 1 x magnifying glass
- 3 x synthetic lubricating grease



此润滑脂是合成润滑脂, 用于阀和弹性密封圈, 也适用于EPDM橡胶, 符合FDA认证, 采用特殊的打胶装置, 可以将胶量控制到很小。
净含量: 10g

Synthetic lubricating grease for valves and fittings with elastomer seals, compatible with EPDM and conforming to FDA. **Can be dispensed in very small doses using special injection devices.** Content 10g.



此润滑脂是特种润滑脂, 可在极端温度下 (-40-+1400 °C)使用。
净含量: 100g

Special lubrication paste, can be used at extreme temperatures (-40 - +1400 °C). Content: 100 g

给客户 提供喷嘴和雾化解决方案的同时,我们还确保为客户 提供良好的售后服务,喷嘴维修和更新服务,所有喷嘴和备件 设计图纸都会长期保存,紧急情况下,能快速为客户提供可靠 的配件。

As well as competent advice and its inception, you can profit from an efficient after-sales service that guarantees long-term supply of all products. We carry out both repair and conversion of SCHLICK spray nozzles, and in emergency, we can supply spare parts quickly and reliably.

930喷嘴备件盒,用于防止喷嘴部件损坏或丢失,此备件盒可单独订购!

- 6 x 喷芯
- 6 x 专利ABC风帽
- 6 x 连接螺母
- 6 x 清洁顶针
- 3 x 喷嘴本体
- 3 x 尾部封盖
- 3 x 弹簧
- 3 x 喷嘴固定块

The **SCHLICK ABC-storage box set** for optimal protection against damage or loss of high class ABC-components of model series 930. Delivery without nozzle parts!

- 6 x liquid insert
- 6 x patented ABC-air cap
- 6 x union nut
- 6 x cleaning needle
- 3 x nozzle body
- 3 x sealing cap
- 3 x spring
- 3 x fixing block

适用于各种型号喷嘴的密封圈和弹簧 - 部分已做成密封圈和弹簧组成的易损件包 所有型号的单O形圈和弹簧——有些还可以成套提供。

Single O-rings and springs for all models - some also available as sets.



产品目录
Product Overview
两液体喷嘴
Two-Substance
Nozzles
防滴漏/专利包芯技术
防滴漏/PCA Technique
三/四液体喷嘴
Three-/Four-
Substance Nozzles
多头技术
Multispray
喷嘴杆
Insertion Pipes
喷嘴头
Nozzle Heads
实心锥喷嘴
Full-Core Nozzles
空心锥喷嘴
Hollow-Core Nozzles
硬质合金喷嘴
Carbide Nozzles
扁平喷嘴
Flat-Spray Nozzles
喷射喷嘴
Smooth-Jet Nozzles
混合喷嘴
Mixing Nozzles
拉瓦尔喷嘴
Laval Nozzles
清洗喷嘴
Cleaning Nozzles
喷嘴附件
Accessories
测试中心
Test Center

辅件 SCHLICK Accessories



速度控制和显示
Display for speed control and RPM visualization

气压设置和显示1
Manual setting and measure air 1

针阀控制 (开/关)
Needle-control (On/Off)

气压设置和显示2
Manual setting and measure air 2



蠕动泵 (沃森马洛)
Peristaltic pump (Watson Marlow)

控制器本体:
全部为不锈钢
Body: all Stainless Steel

便携式两流体喷嘴控制装置: 2个气压调节控制器, 1个针阀控制器, 压力计, 流量可调式蠕动泵, 安装简单

应用领域:
-用于实验室或者试产
-产线外, 进行雾化测试或者优化试验

Portable control unit for two substance nozzles: 2 pressure adjusted air flows, 1 control-air flow, pressure gauge, adjustable peristaltic pump for liquid flow, simple installation

Application field:
- flexible use in laboratory or pilot scale
- control unit for use outside the production device, e.g. for testing and optimizing the spray

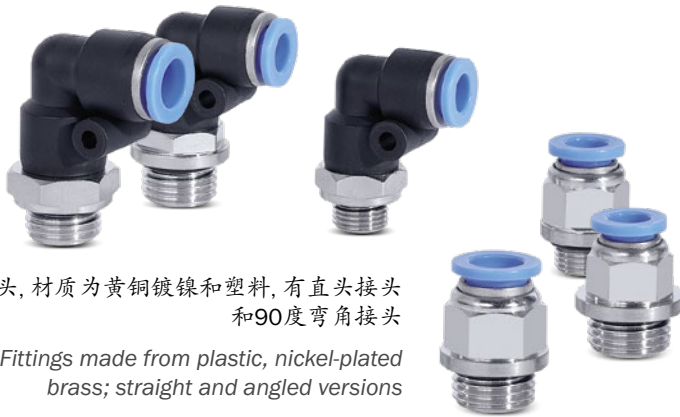
如有技术变更, 恕不另行通知。

SCHLICK – 为雾化解决方案而生

神奇的SCHLICK雾化技术
Clever SCHLICK technology

从设备设计规划到实际批量生产，Schlick都能提供完美解决方案。

SCHLICK know-how – from planning to installation. We would be delighted to assist in the optimisation of your technical and operational results.



接头，材质为黄铜镀镍和塑料，有直头接头和90度弯角接头

Fittings made from plastic, nickel-plated brass; straight and angled versions



不锈钢接头，有直头接头和弯角接头

Fittings made from stainless steel 1.4404; straight and angled versions

坚固的PE软管，用于液体的是蓝色，用于控制气的是红色，用于雾化的黑色，此类管材按米销售

Robust PE hose material for liquids (blue), control air (red) and atomising air (black); sold by the metre

产品目录
Product Overview

两液体喷嘴
Two-Substance
Nozzles

防黏/涂层包壳技术
ABC/PCA Technique

三/四液体喷嘴
Three-/Four-
Substance Nozzles

多头技术
Multispray

喷嘴杆
Insertion Pipes

喷嘴头
Nozzle Heads

实心喷嘴
Full-Core Nozzles

空心喷嘴
Hollow-Core Nozzles

硬质合金喷嘴
Carbide Nozzles

扁平喷嘴
Flat Spray Nozzles

喷射喷嘴
Smooth-Jet Nozzles

混合喷嘴
Mixing Nozzles

拉瓦尔喷嘴
Laval Nozzles

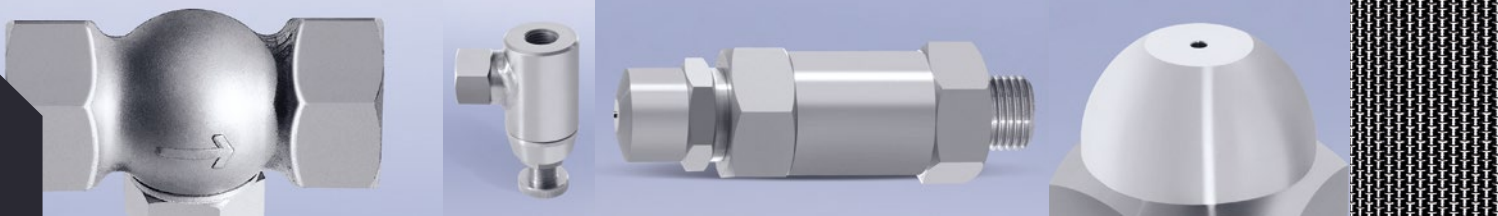
清洗喷嘴
Cleaning Nozzles

喷嘴附件
Accessories

测试中心
Test Center

压力控制阀

SCHLICK Pressure-Controlled Valves



SCHLICK压力控制阀是专门为脉冲雾化系统开发的,能避免空载或者滴漏,阀门的打开和关闭是通过调高和调低液体压力来实现的。

SCHLICK pressure-controlled valves have been specially developed for installation in spray systems with pulsed operation and run completely without dripping or idling. The valves are opened/closed by raising and lowering the liquid pressure.

型号 Model	1055/1	1055/2	1056	1057
连接管道螺纹R Pipe connection R	3/8	3/8	1/4	1/4
连接喷嘴螺纹G Nozzle connection G	1/8 ; 1/4	3/8	1/8 ; 1/4	-
总高度约(单位: mm) Total height approx. in mm	68	68	54	44

材质: 不锈钢1.4404、耐酸不锈钢1.4571或黄铜

Material: Stainless steel 1.4404, acid-resistant stainless steel 1.4571 or brass



1055系列压力控制阀带调节旋钮,打开压力可调节(最大可达6 bar),阀门的打开和关闭是通过调高和调低液体压力来实现的,阀门关闭的压力一般比打开的压力小0.5-1.0 bar。

常规压力控制阀的最大设计压力为8bar,如有特殊需要,可提供更高压力的压力控制阀,所有压力控制阀均可装配SCHLICK常规压力式喷嘴。

性能参数:

1055 Size 1 = 1-20 升/分钟(3 bar时)

1055 Size 2 = 5-40 升/分钟(3 bar时)

Model 1055 with adjusting screw for continuous adjustment of the opening pressure (up to max. 6 bar). The valves are opened and closed by raising and lowering the liquid pressure. The closing pressure is about 0.5-1 bar **below** the opening pressure.

The maximum pressure range for all standard designs is 8 bar. Special designs for higher pressures etc. are available on request. Suitable for use with all standard SCHLICK pressure nozzles.

Performance range:

Size 1 = 1-20 l/min at 3 bar

Size 2 = 5-40 l/min at 3 bar

给客户 提供喷嘴和雾化解决方案的同时,我们还确保为客户 提供良好的售后服务,喷嘴维修和更新服务,所有喷嘴和备件 设计图纸都会长期保存,紧急情况下,能快速为客户提供可靠 的配件。

As well as competent advice and its inception, you can profit from an efficient after-sales service that guarantees long-term supply of all products. We carry out both repair and conversion of SCHLICK spray nozzles, and in emergency, we can supply spare parts quickly and reliably.

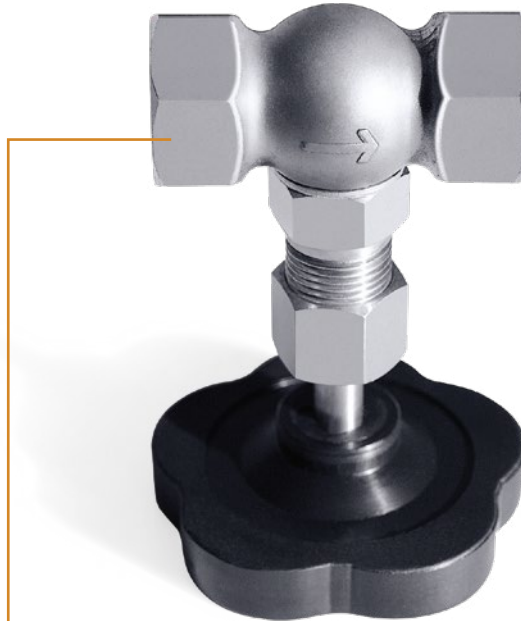


1056系列无调节装置,流量0-5升/分钟,额定压力为3 bar。

Model 1056 centric without adjustment screw with a performance range from 0-5 l/min for a rated capacity of 3 bar.

1057系列的阀集成了喷嘴,这个系列主要为0-1升/分钟的小流量场合设计的(额定压力为3 bar)。

Model 1057 with **integrated** nozzle in the valve. This special design was developed specifically for the lowest throughput rates of 0-1 l/min (rated capacity 3 bar).



1065系列是专为液体和气体开发的,适用于安装在管道、管路等系统。该型号可加装或拆卸带刻度的流量调整装置,两侧螺纹可选R1/8,1/4或者3/8,材质可选不锈钢1.4404、耐酸不锈钢1.4571或黄铜。

Model 1065 was developed specially for use with liquids and gases and is suitable for installation in pipes, pipe systems, etc. This model can be fitted with a detachable scale for fine adjustment of the flow rate. Threaded end fitting options R 1/8, 1/4 or 3/8 on both sides. External thread DIN 259. Manufactured in stainless steel 1.4404, acid-resistant stainless steel 1.4571 or brass.

产品目录
Product Overview

两液体喷嘴
Two-Substance
Nozzles

防滴/专业包封技术
ABC/PCA Technique

三/四液体喷嘴
Three-/Four-
Substance Nozzles

多头技术
Multispray

喷嘴杆
Insertion Pipes

喷嘴头
Nozzle Heads

实心锥喷嘴
Full-Core Nozzles

空心锥喷嘴
Hollow-Core Nozzles

硬质合金喷嘴
Carbide Nozzles

扁平喷嘴
Flat Spray Nozzles

喷射喷嘴
Smooth-Jet Nozzles

混合喷嘴
Mixing Nozzles

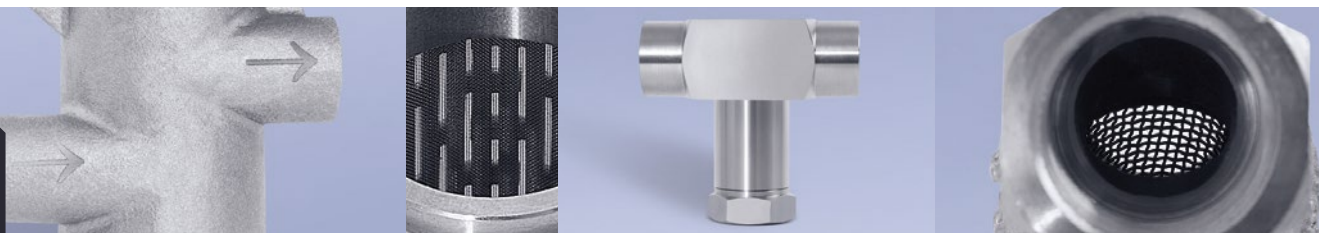
拉瓦尔喷嘴
Laval Nozzles

清洗喷嘴
Cleaning Nozzles

喷嘴附件
Accessories

测试中心
Test Center

过滤系统 SCHLICK Filter Systems



过滤专家— 理想的防堵防污防护

SCHLICK O.P.S 中心快速过滤器能防止下游系统部件被弄脏或被杂质堵塞, 从而造成计划外的停机维修保养。

The prevention specialists – the ideal protection from dirt

The **SCHLICK O.P.S. centripetal fast filter** prevents soiling or blockage of downstream system components, providing additional protection from unplanned maintenance work.

● 气体或液体由于切向作用, 在入口和出口处产生环流, 杂质(如污泥等)将远离过滤网表面, 并沉积在底部的沉淀室中。

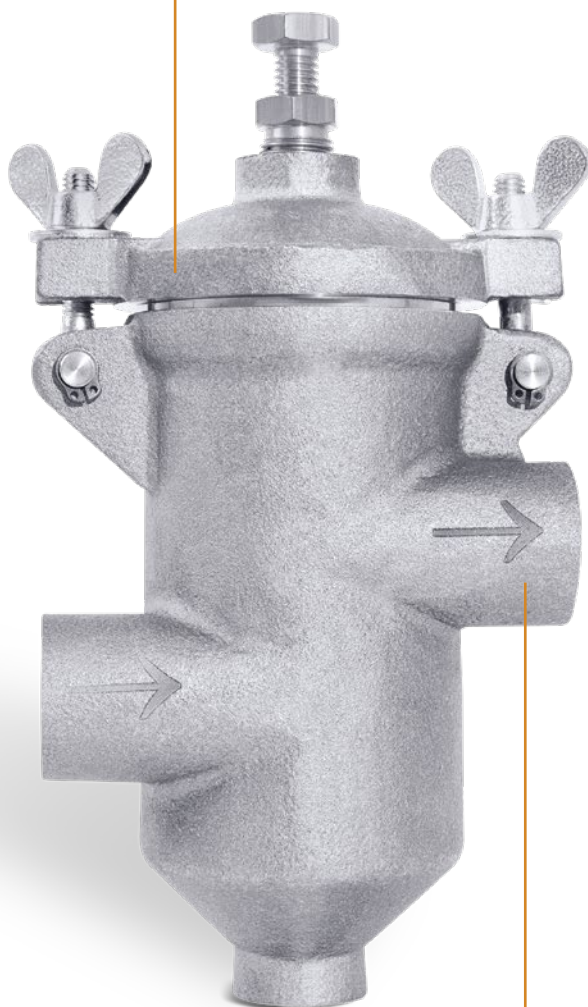
The tangential intake and outlet of the liquid/gases cause currents which keep any foreign bodies (sludge) away from the filtering surface and deposit these in the sediment chamber.

● 关闭进液口, 打开排放旋塞, 利用液体的回流清洁过滤器, 一般采用过滤后的液体清洁, 也可以用其他流体清洁, 如蒸汽、压缩空气、水等。

Shutting the intake and opening the drain cock briefly will clean the filtering surface due to the backflow. The filtering surface is generally cleaned by backwashing with the filtrate. Cleaning can also be carried out using other media such as, e.g. steam, compressed air, water, or similar.

● 除了标准设计外(进气口左下位置, 排气右上位置 = 左手作业设计), 进出口位置也可根据客户要求调整。

In addition to the standard design (intake bottom left, outflow top right = left hand design) the position of the connections can be adjusted to customer requirements.



如有技术变更, 恕不另行通知。

信任和质量是合作成功的基础,这不仅仅指我们的产品,也适用于我们的服务。如有需要,我们可向您提供喷嘴相关文件,如技术手册(包括图纸、流量图、安装和操作说明)、SCHLICK 公司的相关证书以及喷嘴的材质说明。

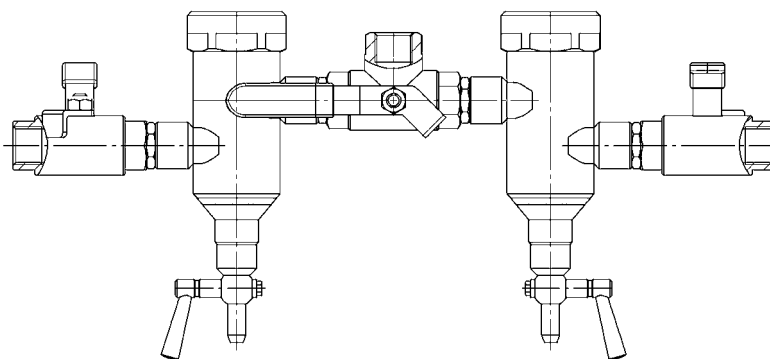
Reliability and quality are the basis for successful cooperation with our international customers. This applies both to our products and to our service. If you wish, we will supply you with all necessary documentation such as technical handbooks for products or accessories (drawings, flow diagrams, installation and operating instructions) together with factory and material specifications.

Schlick O.P.S 中心快速过滤器尺寸(标准产品)
Dimensions for O.P.S. centripetal rapid filter (standard design)

Größe Size	0 紫铜 Red brass	0 不锈钢 Stainless steel	1	2	3
流量(已安装了滤网情况下,以水为例,单位:立方/时) Flow rate in m ³ /h for water with integrated sieve insert	1	1	3	5	20
进出口连接螺纹或法兰G Intake and outlet attachment or flange G	1/2	1/2	3/4	1	DN 50 - 65
出口连接螺纹或法兰G Outlet attachment or flange G	3/8	3/8	1/2	1	DN 25
大致直径 (mm) Approx. diameter of body in mm	60	55	75	140	220
大致总高 (mm) Total height approx. in mm	170	130	315	500	670
大致总宽 (mm) Total width approx. in mm	90	90	200	250	400

材料可选择1.4404不锈钢或1.4571耐酸不锈钢(Size 0系列也可选用黄铜),如有需要,尺寸和材料也可按客户要求定制。

Materials used are stainless steel 1.4404 or acid-resistant stainless steel 1.4571 (size 0 also available in red brass). Additional designs, sizes and materials on request.

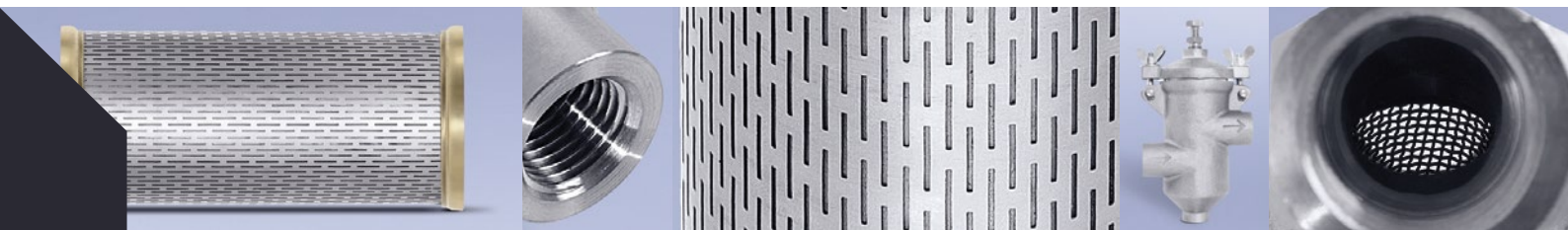


两个并联的SCHLICK O.P.S过滤器,可以在不中断生产的情况下进行清洁,两个并联的过滤器,一个为左手作业设计,另一个为右手作业设计,通过一个三通接头进行连接。

Two SCHLICK O.P.S. exchangeable filters connected in parallel permit easy cleaning **without** interrupting operation. This version has a standard left-hand design filter connected with a right-hand design filter using a three-way tap.

过滤系统

SCHLICK Filter Systems



各种滤芯让SCHLICK O.P.S过滤器更加完美, 根据具体过滤要求, 由带有细长孔的金属网组成的滤芯, 可增加更细的滤网材料。

Filter inserts round off the selection of SCHLICK O.P.S. exchangeable filter systems. Depending on the filtration required, these consist of sheet metal with elongated perforations – with or without a filter material insert.

筛孔尺寸 (mm)	筛孔尺寸 (mm)	筛孔尺寸 (mm)
Sieve insert slot perforation in mm	with filter material insert no.	Filter material mesh size in mm
0.75 x 10	180	0.09
0.75 x 10	110	0.15
0.75 x 10	54	0.30

可选择紫铜边框加不锈钢滤芯或者全部采用耐酸不锈钢。

Available in brass with stainless steel sheet metal with slot perforations or entirely in acid-resistant stainless steel.



如有技术变更, 恕不另行通知。

SCHLICK – 为雾化解决方案而生

神奇的SCHLICK雾化技术
Clever SCHLICK technology

从设备设计规划到实际批量生产，Schlick都能提供完美解决方案。

SCHLICK know-how – from planning to installation. We would be delighted to assist in the optimisation of your technical and operational results.



KS小型过滤器系列，配备滤芯，用于保护喷嘴、阀门和配件等。

SCHLICK small filter model KS for protecting nozzles, valves and fittings etc. with sieve insert.

压力差在3-5 bar时的流量(以水为例, 升/时) 在 250 l/h 的吞吐量下, 压降约为 0,3-0,5 bar 可以预期	250 l/h
Throughput rate (water) for 3-5 m drop in pressure in l/h	
外螺纹G External thread G	1/8 ; 1/4
内螺纹G Internal thread G	1/4
大致总长 (mm) Total length approx. in mm	55
大致总高 (mm) Total height in mm	52

材质可选黄铜和耐酸不锈钢。

Available in brass and acid-resistant stainless steel.

SCHLICK流径式过滤器，杂质被收集在过滤网，松开排放口螺丝即可进行清洁。

SCHLICK flow through filter/dirt trap collects dirt in the integrated filter insert i.e. on the sieve insert. Can be cleaned by unscrewing and emptying the insert or also by opening the drain screw.

Größe Size	0	1	2	3	4	5
外螺纹G External thread G	1/2	3/4	1	1 1/4	1 1/2	2
大致总长 (mm) Total length approx. in mm	72	82	92	140	160	190

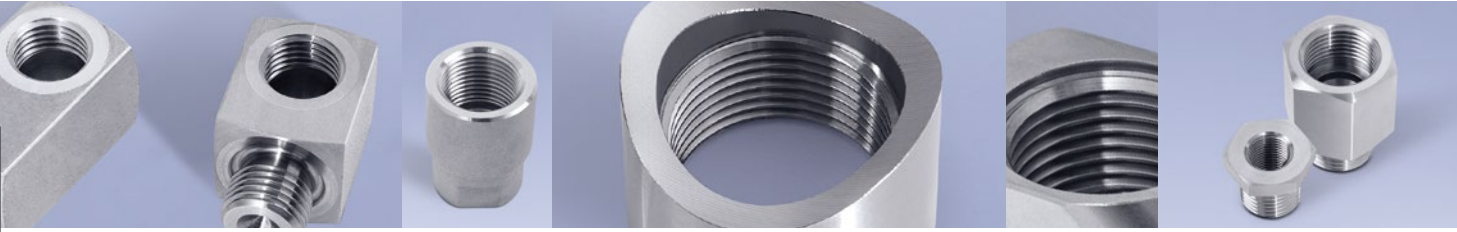
材质可选黄铜和耐酸不锈钢。

Material: Brass or acid-resistant stainless steel



产品目录
Product Overview
两液体喷嘴
Two-Substance Nozzles
防滴漏/零泄漏技术
ABC/PCA Technique
三/四液体喷嘴
Three-/Four-Substance Nozzles
多头技术
Multispray
喷嘴杆
Insertion Pipes
喷嘴头
Nozzle Heads
空心喷嘴
Full-Core Nozzles
空心喷嘴
Hollow-Core Nozzles
硬质合金喷嘴
Carbide Nozzles
扁平喷嘴
Flat-Spray Nozzles
喷射喷嘴
Smooth-Jet Nozzles
混合喷嘴
Mixing Nozzles
拉瓦尔喷嘴
Laval Nozzles
清洗喷嘴
Cleaning Nozzles
喷嘴附件
Accessories
测试中心
Test Center

转接头 SCHLICK Adapter Systems



变径转接头(内外螺纹转接)
Reducing adapter or sleeve
nipple (internal/external
thread)



变径转接头
(内螺纹转接内螺纹)
Reducing sleeve (both
sides with internal thread)



Schlick转接头产品是Schlick产品系列的有力补充, 有多种规格、尺寸、材料的转接头可选择, 限于篇幅, 这里只展示了小部分转接头产品。

SCHLICK adapter systems are a practical and secure addition to SCHLICK's extensive range. The adapter pieces illustrated here are available in a wide range of sizes, materials and designs and only illustrate a section of the complete product range.

变径转接头
(外螺纹转接外
螺纹)
Reducing nipple
(both sides with
external thread)



90度转接头
Angle pieces for
90-degree bends



封管接头
(一端焊接处理)
Reducing piece
with welding end

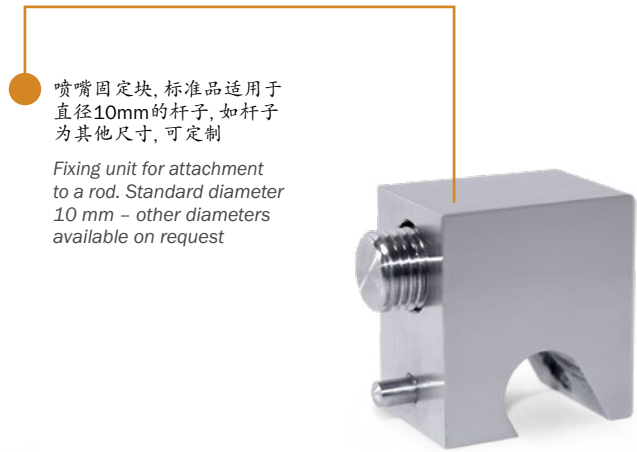


给客户 提供喷嘴和雾化解决方案的同时,我们还确保为客户 提供良好的售后服务,喷嘴维修和更新服务,所有喷嘴和备件 设计图纸都会长期保存,紧急情况下,能快速为客户提供可靠 的配件。

As well as competent advice and its inception, you can profit from an efficient after-sales service that guarantees long-term supply of all products. We carry out both repair and conversion of SCHLICK spray nozzles, and in emergency, we can supply spare parts quickly and reliably.



万向球头,喷嘴方 向可以任意调节
Version with ball joint, can be rotated continuously in all directions



喷嘴固定块,标准品适用于 直径10mm的杆子,如杆子 为其他尺寸,可定制
Fixing unit for attachment to a rod. Standard diameter 10 mm – other diameters available on request



管道转接头,可按现 有单独适用于连接现 有管道
Pipe adaptation. Individually adapted for connection to existing pipework.



产品目录
Product Overview

两液体喷嘴
Two-Substance
Nozzles

防滴漏/零泄漏技术
ABC/PCA Technique

三/四液体喷嘴
Three-/Four-
Substance Nozzles

多喷头技术
Multispray

喷射杆
Insertion Pipes

喷嘴头
Nozzle Heads

实心喷嘴
Full-core Nozzles

空心喷嘴
Hollow-core Nozzles

硬质合金喷嘴
Carbide Nozzles

扁平喷嘴
Flat-Spray Nozzles

喷射喷嘴
Smooth-Jet Nozzles

混合喷嘴
Mixing Nozzles

拉瓦尔喷嘴
Laval Nozzles

清洗喷嘴
Cleaning Nozzles

喷嘴附件
Accessories

测试中心
Test Center